

FIG.1 ENGINE - EXPLODED DIAGRAM DRAWING

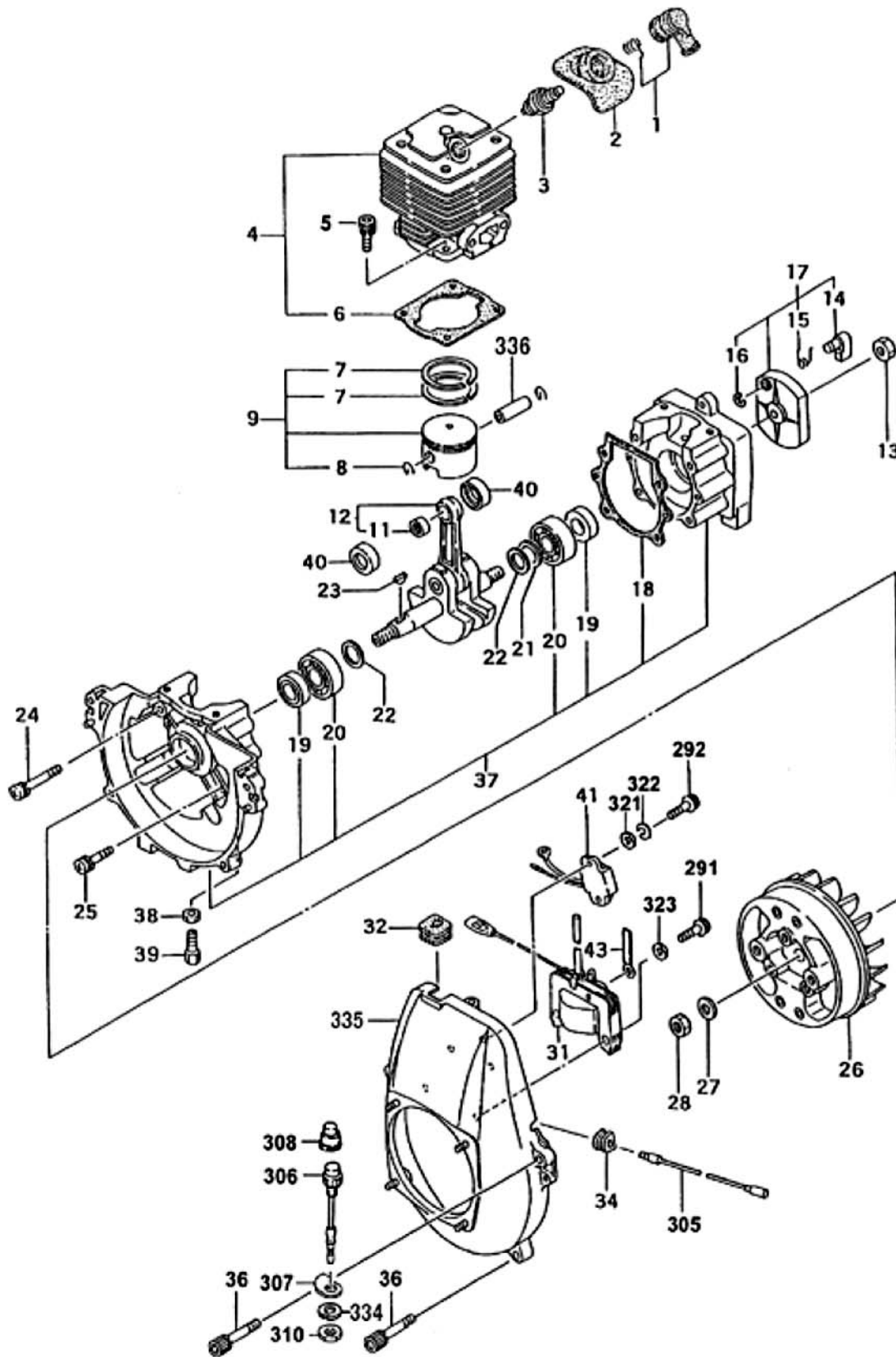


FIG.1 ENGINE – EXPLODED DIAGRAM DRAWING

Engine-Parts List

<i>INDEX No.</i>	<i>PART NAME</i>	<i>NUMBER REQUIRED</i>
001	SPARK PLUG CAP ASSY	1
002	SPARK PLUG RUBBER COVER	1
003	SPARK PLUG BPMR6A	1
004	CYLINDER SET(INDEX NO.4,6)	1
005	HEX. HOLE BOLT 5x18/S	4
006	CYLINDER GASKET	1
007	PISTON RING	2
008	PISTON PIN CIRCLIP	2
009	PISTON SET(INDEX NO.7, 8, AND 9)	1
011	NEEDLE BEARING 1014125	1
012	CRANK SHAFT COMPLETE (INDEX NO. 11,12)	1
013	SMALL NUT 10	1
014	STARTER PAWL	1
015	STARTER PAWL SPRING	1
016	STOP RING E-5	1
017	STARTER PULLEY (INDEX NO.14, 15, 16, AND 17)	1
018	CRANK CASE GASKET	1
019	OIL SEAL 15257	2
020	BALL BEARING #6202 C3	2
021	CRANK SHAFT SHIM 0.05	V
021	CRANK SHAFT SHIM 0.10	V
021	CRANK SHAFT SHIM 0.15	V
021	CRANK SHAFT SHIM 0.20	V
021	CRANK SHAFT SHIM 0.30	V
022	CRANK SHAFT WASHER 0.5	2
023	WOOD-RUFF KEY 3x13x5	1
024	SCREW 6x45S	2
025	SCREW 6x30S	2
026	MAGNET ROTOR COMPLETE	1
027	SMALL WASHER 10	1
028	NUT 10	1
031	IGNITION COIL COMPLETE	1
032	PRIMARY CORD GROMMET	1
034	PRIMARY CORD GROMMET	1
036	HEX. HOLE BOLT 6x20/S	4
037	CRANK CASE ASS'Y(INDEX NO.18, 19, 20, AND 37)	1
038	NUT 6	1
039	OUTER RECEIVER	1
040	PISTON PIN COLLER	2
041	IGNITOR COMPLETE	1
043	CORD CLAMP COMPLETE	1
291	HEX. HOLE BOLT 5x18/S	3
292	HEX. HOLE BOLT 5x14	2
305	CORD B180M	1
306	STOP SWITCH COMPLETE	1
307	RETAINER PLATE, STOP BUTTON	1
308	RUBBER COVER, STOP BUTTON	1
310	NUT, STOP BUTTON	1
321	WASHER 5	2
322	S. WASHER 5	2
323	SMALL WASHER 5	3
334	S. WASHER 8	1
335	FAN CASE COMPLETE	1
336	PISTON PIN	1